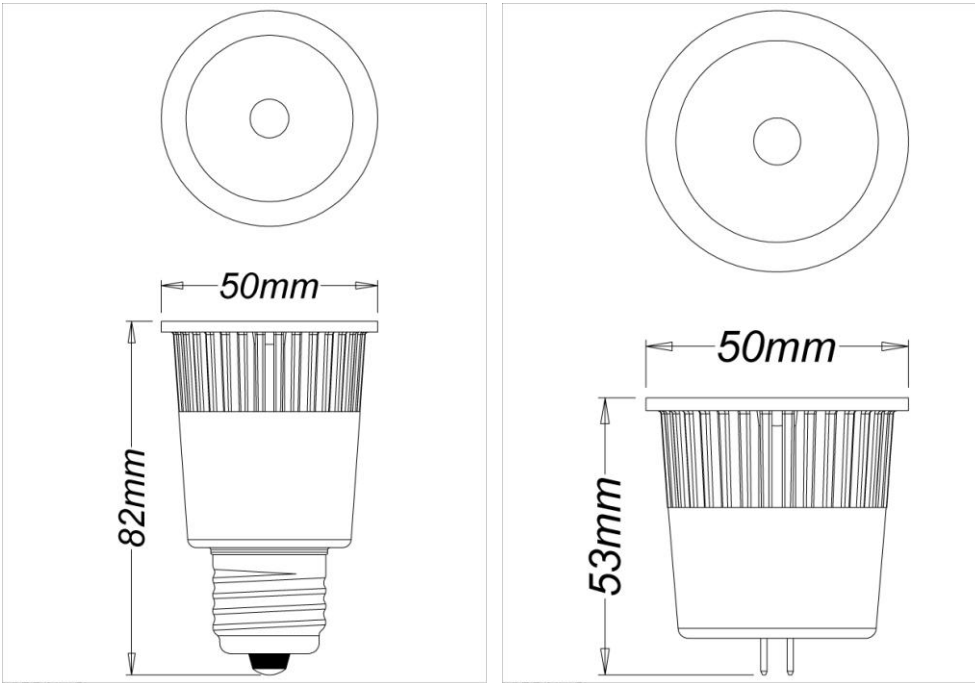


Part Numbers:

Part Number	Description	Unit
HSL-2001T-05A340-H0	1LEDs*5W, E27, 120VAC/240VAC, 68 degree	pcs
HSL-1001T-05A340-L1	1LEDs*5W, MR16, 12VDC, 68 degree	pcs

Physical Dimensions



Technical Specifications

Physical Specifications

Base	E27/MR16
Work Environment	applicable for dry environment

Electrical Specifications

Lighting Source	5 W High Power LED
LED Quantity	1 LED
Operation Voltage	120VAC/240VAC or 12VAC/VDC
Operation Current	<600mA
Power Consumption	5 W
Operation Temperature	-20°C~50°C (-4°F~122°F)
Controll System	Remote Controller (Part Number: HCD-00010-000000-RL)

Optical Specifications

Color Range	RGB
Lumens	95lm
Efficiency	13.57lm/W
Beam Angle	68 Degree
Lumen Maintenance	>95%@1000hrs
Color Temperature	3000K-6500K

Comparison between ATG Electronics® eLucent™ N Series RGB XPower LED Lamps with Halogen Lamp

	eLucent™ N Series	Halogen Lamp
Power Consumption	Low	High
Life Span	>50,000 hours	3,000~5,000 hours
Directed Light	Yes	No
Heat Generation	Low	High
Radiation	No	UV, FR or mercury
Resistant to shock and vibration	High	Low
Maintenance Fees	No	High
Environmental Pollution	No	High