



APPLICATIONS

- Parking Garages
- Gas Stations
- Canopies
- Walkways

FEATURES

- 100,000 Hour Lifespan (IESNA)
- 10 Year or 60,000 Hour Warranty
- High Pressure Die-casted, Powder Coated Aluminum Housing
- Prismatic Acrylic Refractor/Lens
- Optional "Cone (RCL)" Style
- Surface Mounting
- Ambient Temp Range: -30 to 120 deg F

Made in the USA 
of U.S. and imported parts



LAMP/GENERATOR

- 120-277V Universal Electronic Ballast
- Available 0-10V Dimmability, 2-way Communication
- Power Factor > 0.95, Operation Frequency 50-60Hz
- Instant-On, Flicker Free, Minimum Light Loss
- 40W—100W Round Tubular Lamp Design
- Color Temps Available: 3000K—5000K
- CRI > 85—Excellent Color Rendition



RCL "Cone" Style
Available in 55/85W

| Product # | Wattage | Replaces | Lm/W | Lumens | IP Rating | Size | Lens |
|----------------|---------|-------------------------|------|--------|-----------|---------------------|---------------|
| MHT-CL-40E | 40 | MH - 70W HPS - 100W | 72.5 | 2,900 | 43 | 12"x12" | Polycarbonate |
| MHT-RCL/CL-55E | 55 | MH - 100W HPS - 100W | 72.5 | 3,988 | 43 | 15" dia, 12"x12" | Polycarbonate |
| MHTCL-70E | 70 | MH - 120W HPS - 150W | 72.5 | 5,075 | 43 | 12"x12" | Polycarbonate |
| MHT-RCL/CL-80E | 80 | MH - 150W HPS - 150W | 77.5 | 6,200 | 43 | 15" dia, 12"x12" | Polycarbonate |
| MHT-CL-100E | 100 | MH - 200W HPS - 200W | 77.5 | 7,750 | 43 | 12"x12" | Polycarbonate |

* Other wattages available upon request

Available Options:

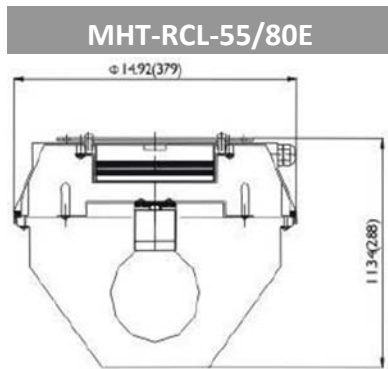
- Dimmable Ballast
- Occupancy Sensor
- Photocell

ORDERING CODES

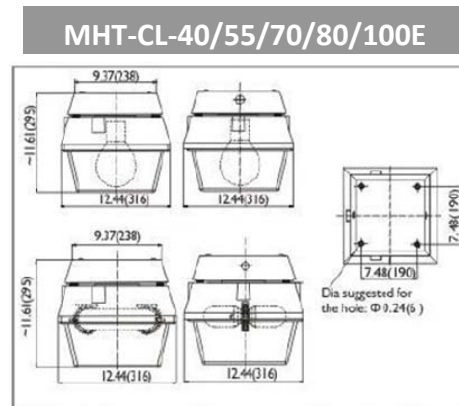
MHT- - E - - -

| | | | | | |
|---------------------------|--|--|----------------------------------|--------------------------------|--|
| CL = Square Canopy | Wattage: 40, 55, 70, 80, 100 | Color Temp: 3K = 3000K 4K = 4000K 5K = 5000K | Voltage: U = Universal | Dimmable Ballast: DB | Options: (please specify voltage) OSD = Occ Sensor w/ Step Dim OSI = Occ Sensor w/ Instant On PC = Photocell |
| RCL = Round Canopy | | | | | |

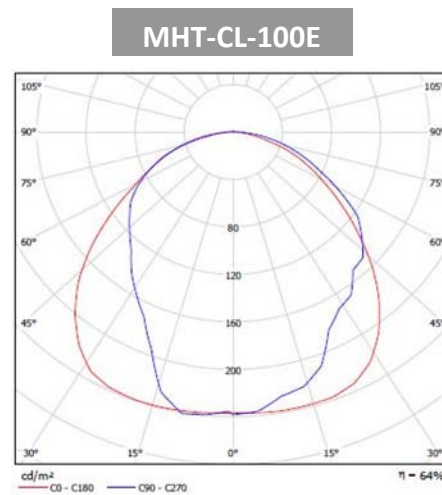
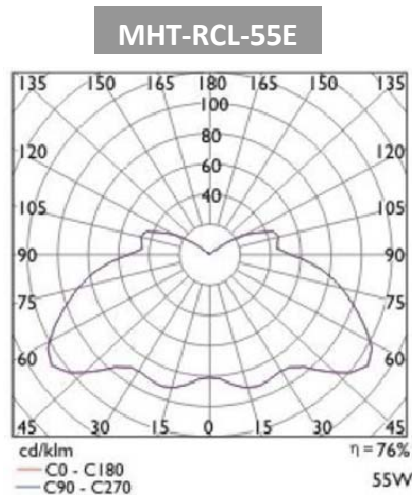
DIMENSIONS



Note: RCL Fixture uses Round Tubular Lamp Only



SAMPLE PHOTOMETRICS



- MHT Products are UL Listed/Labeled and Assembled in ISO9000/1 Certified US Facility
- Every product is quality tested and inspected prior to shipment
- MHT Lighting offers a 10-year, 60,000 hour Warranty (please see Warranty Terms and Conditions)
- Made in the USA of US and Imported Parts, Meets Buy American requirements within the ARRA