



APPLICATIONS

- Parks
- Pools
- Parking Lots
- Garage/Security
- Area Lighting

FEATURES

- 100,000 Hour Lifespan (IESNA)
- 10 Year or 60,000 Hour Warranty
- High Pressure Die-casted, Powder Coated Aluminum Housing
- Clear Tempered Glass Lens
- Adjustable “U” Bracket Mounted
- Ambient Temp Range: -30 to 120 deg F

Made in the USA 
 of U.S. and imported parts



LAMP/GENERATOR

- 120-277V Universal Electronic Ballast
- Available 0-10V Dimmability, 2-way Communication
- Power Factor > 0.95, Operation Frequency 50-60Hz
- Instant-On, Flicker Free, Minimum Light Loss
- 70W—150W Square Tubular Lamp Design
- Color Temps Available: 3000K—5000K
- CRI > 85—Excellent Color Rendition



FLD-150 includes remote mounted ballast

Product #	Wattage	Replaces	Lm/W	Lumens	IP Rating	Size	Lens
MHT-FLD-70E	70	MH - 120W HPS - 150W	72.5	5,075	65	16"x16"	Tempered Glass
MHT-FLD-80E	80	MH - 150W HPS - 150W	77.5	6,200	65	16"x16"	Tempered Glass
MHT-FLD-100E	100	MH - 200W HPS - 200W	77.5	7,750	65	16"x16"	Tempered Glass
MHT-FLD-150E	150	MH - 250W HPS - 300W	82.5	12,375	65	23"x15"	Tempered Glass

* Other Wattages Available Upon Request

Available Options:

- Dimmable Ballast
- Photocell
- Specify UP or DOWN Lighting

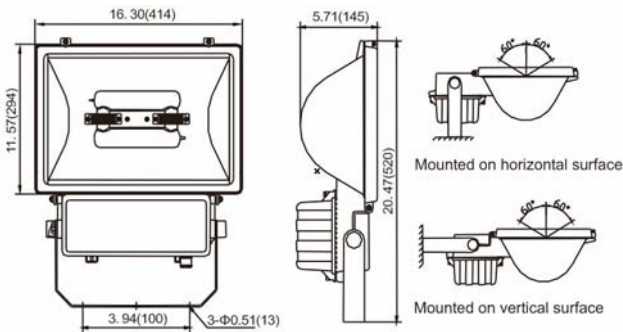
ORDERING CODES

MHT-FLD - **E** - - - - - -

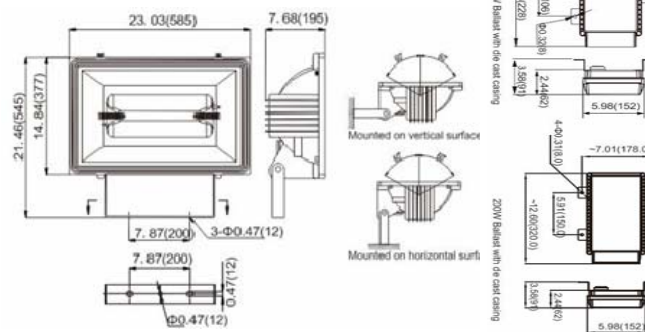
Wattage: 70, 80, 100, 150
Color Temp: 3K = 3000K, 4K = 4000K, 5K = 5000K
Voltage: U = Univ
 UL = Up, DL = Down Lighting
Dimmable Ballast: DB
Options: PC = Photocell

DIMENSIONS

MHT-FLD-70/80/100E

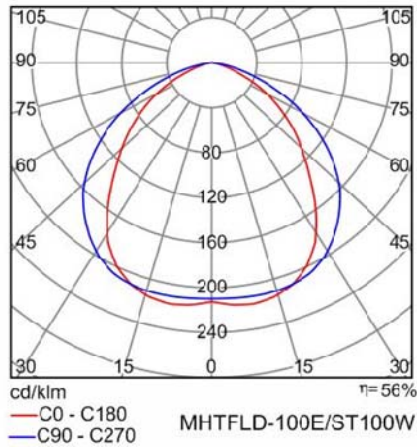


MHT-FLD-150E

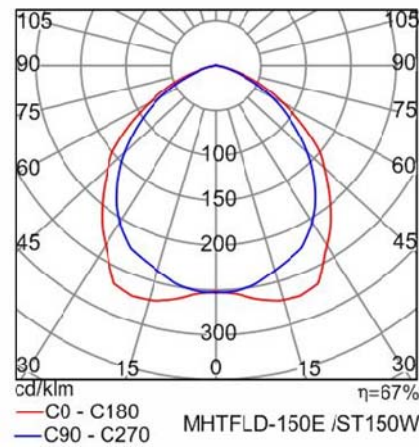


SAMPLE PHOTOMETRICS

MHT-FLD-100E



MHT-FLD-150E



- MHT Products are UL Listed/Labeled and Assembled in ISO9000/1 Certified US Facility
- Every product is quality tested and inspected prior to shipment
- MHT Lighting offers a 10-year, 60,000 hour Warranty (please see Warranty Terms and Conditions)
- Made in the USA of US and Imported Parts, Meets Buy American requirements within the ARRA