



## APPLICATIONS

- Gas Stations
- Canopies

## FEATURES

- 100,000 Hour Lifespan (IESNA)
- 10 Year or 60,000 Hour Warranty
- High Pressure Die-casted, Powder Coated Aluminum Housing
- Clear Tempered Glass or UV Stabilized Polycarbonate Lens
- Surface Mounting
- Custom Colors Available
- Ambient Temp Range: -30 to 120 deg F

Made in the USA   
of U.S. and imported parts



## LAMP/GENERATOR

- 120-277V Universal Electronic Ballast
- Available 0-10V Dimmability, 2-way Communication
- Power Factor > 0.95, Operation Frequency 50-60Hz
- Instant-On, Flicker Free, Minimum Light Loss
- 40W—150W Square Tubular Lamp Design
- Color Temps Available: 3000K—5000K
- CRI > 85—Excellent Color Rendition

Product #	Wattage	Replaces	Lm/W	Lumens	IP Rating	Size	Lens
MHT-GS-40E	40	MH - 120W HPS - 150W	72.5	5,075	65	19.7"x13.8"	Glass, Polycarbonate
MHT-GS-70E	70	MH - 120W HPS - 150W	72.5	5,075	65	19.7"x13.8"	Glass, Polycarbonate
MHT-GS-100E	100	MH - 200W HPS - 200W	77.5	7,750	65	19.7"x13.8"	Glass, Polycarbonate
MHT-GS-150E	150	MH - 250W HPS - 300W	82.5	12,375	65	19.7"x13.8"	Glass, Polycarbonate

\* other wattages available upon request

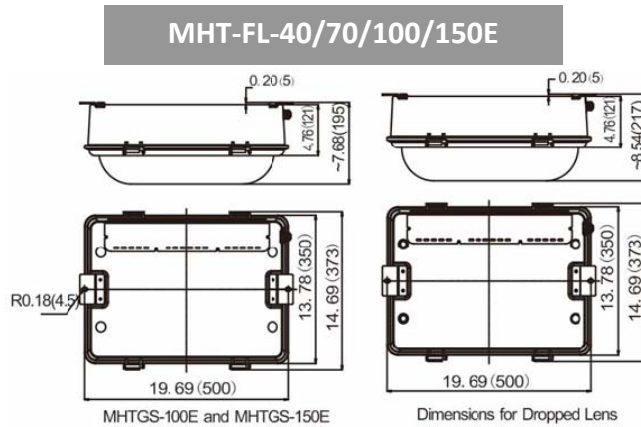
### Available Options:

- Dimmable Ballast
- Custom Colors Available

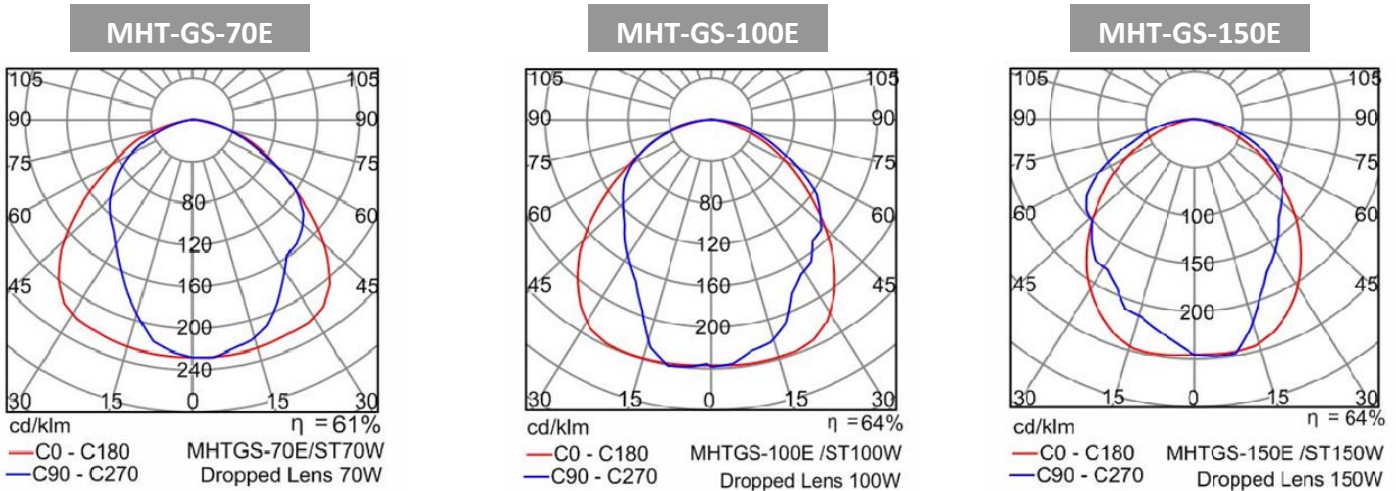
### ORDERING CODES

<b>MHT-FL</b>	-	<input type="text"/>	<b>E</b>	-	<input type="text"/>	-	<input type="text"/>	-	<input type="text"/>
<b>Wattage:</b>		<b>Color Temp:</b>		<b>Voltage:</b>		<b>Dimmable</b>		<b>Options:</b>	
40, 70, 100, 150		3K = 3000K 4K = 4000K 5K = 5000K		U = Universal		<b>Ballast:</b> DB		GL = Glass Lens PC = Drop PC Lens CC = Custom Color (Specify)	

### DIMENSIONS



### SAMPLE PHOTOMETRICS



- ▶ Products are UL Listed/Labeled and Assembled in ISO9000/1 Certified US Facility
- ▶ Every product is quality tested and inspected prior to shipment
- ▶ We offer a 10-year, 60,000 hour Warranty (please see Warranty Terms and Conditions)
- ▶ Made in the USA of US and Imported Parts, Meets Buy American requirements within the ARRA