



### APPLICATIONS

- RETROFITS
  - Shoebox
  - High Bays
  - Acorn
  - Specialty Fixtures

### FEATURES

- 100,000 Hour Lifespan (IESNA)
- 5 Year or 30,000 Hour Warranty (pending Fixture Approval from MHT)
- Square Profiled or Die-Casted Aluminum Ballast Housing
- Optional E39, E26 Mounting Adapter (40W-250W)
- Includes Mounting Bracket for Lamp
- Ambient Temp Range: -30 to 120 deg Fahrenheit



### LAMP/GENERATOR

- 120-277V Universal Electronic Ballast
- Available 0-10V Dimmability, 2-way Communication
- Power Factor > 0.95, Operation Frequency 50-60Hz
- Instant-On, Flicker Free, Minimum Light Loss
- 40W—400W Round Tubular Lamp Design
- Color Temps Available: 3000K—5000K
- CRI > 85—Excellent Color Rendition



Product #	Wattage	Replaces	Lm/W	Lumens	Voltage	Current (A)	Input Pwr (W)
MHT-RT-40E	40	MH - 70W HPS - 100W	72.5	2,900	120/277	0.16 - 0.35	42
MHT-RT-55E	55	MH - 100W HPS - 100W	72.5	3,988	120/277	0.21 - 0.49	58
MHT-RT-70E	70	MH - 120W HPS - 150W	72.5	5,075	120/277	0.27 - 0.62	74
MHT-RT-80E	80	MH - 150W HPS - 150W	77.5	6,200	120/277	0.32 - 0.70	84
MHT-RT-100E	100	MH - 200W HPS - 200W	77.5	7,750	120/277	0.40 - 0.93	105
MHT-RT-120E	120	MH - 200W HPS - 200W	77.5	9,300	120/277	0.45 - 1.05	126
MHT-RT-150E	150	MH - 250W HPS - 300W	82.5	12,375	120/277	0.59 - 1.36	158
MHT-RT-200E	200	MH - 360W HPS - 400W	82.5	16,500	120/277	0.77 - 1.79	210
MHT-RT-250E	250	MH - 400W HPS - 500W	87.5	21,875	120/277	1.05 - 2.19	263
MHT-RT-300E	300	MH - 500W HPS - 500W	87.5	26,250	120/277	1.20 - 2.63	315
MHT-RT-400E	400	MH - 1000W HPS - 1000W	87.5	35,000	120/277	1.44 - 3.33	420

#### Available Options:

- Dimmable Ballast, E26/E39 Mogul Adapter

### ORDERING CODES

MHT-RT -  W -   -  -  -

**Wattage:**

40, 55, 70, 80, 100,  
120, 150, 200, 250,  
300, 400

**Color Temp:**

3K = 3000K  
4K = 4000K  
5K = 5000K

**Voltage:**

U = Universal  
3 = 347V

**Dimmable**

**Ballast:**  
DB

**Options:**

E39 = E39 Mogul Adapter  
E26 = E26 Base Adapter

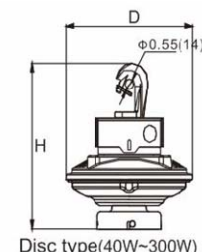
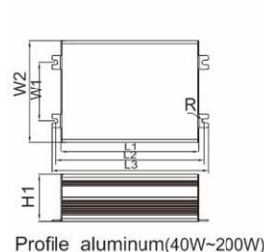
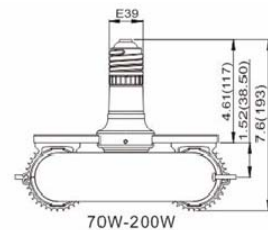
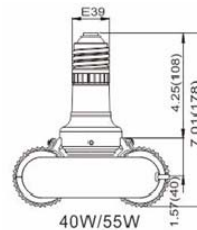
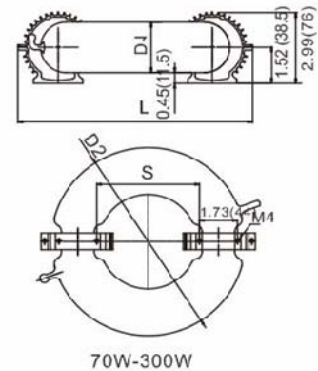
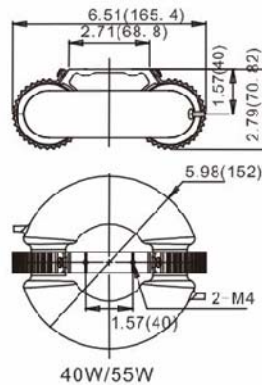
### DIMENSIONS

#### LAMP DIMENSIONS

inches (mm)	D1	D2	L
<b>MHT-RT-40E</b>		6.0 (152)	6.5 (165)
<b>MHT-RT-55E</b>		6.0 (152)	6.5 (165)
<b>MHT-RT-70E</b>	2.1 (54)	7.1 (180)	8.1 (204)
<b>MHT-RT-80E</b>	2.1 (54)	7.1 (180)	8.1 (204)
<b>MHT-RT-100E</b>	2.1 (54)	8.5 (217)	9.7 (245)
<b>MHT-RT-120E</b>	2.1 (54)	9.8 (249)	10.9 (276)
<b>MHT-RT-150E</b>	2.1 (54)	11.6 (294)	12.7 (322)
<b>MHT-RT-200E</b>	2.1 (54)	14.0 (354)	15.2 (385)
<b>MHT-RT-250E</b>	2.3 (58)	14.9 (377)	16.0 (405)
<b>MHT-RT-300E</b>	2.3 (58)	17.4 (441)	18.3 (465)

#### BALLAST DIMENSIONS

inches (mm)	L	W	H
<b>MHT-RT-40E</b>	7.0 (177)	4.1 (105)	1.9 (48)
<b>MHT-RT-55E</b>	7.0 (177)	4.1 (105)	1.9 (48)
<b>MHT-RT-70E</b>	7.0 (177)	4.1 (105)	1.9 (48)
<b>MHT-RT-80E</b>	7.0 (177)	4.1 (105)	1.9 (48)
<b>MHT-RT-100E</b>	7.0 (177)	4.1 (105)	1.9 (48)
<b>MHT-RT-120E</b>	8.2 (213)	4.8 (120)	2.1 (53)
<b>MHT-RT-150E</b>	8.2 (213)	4.8 (120)	2.1 (53)
<b>MHT-RT-200E</b>	8.2 (213)	4.8 (120)	2.1 (53)



- Products are UL Listed/Labeled and Assembled in ISO9000/1 Certified US Facility
- Every product is quality tested and inspected prior to shipment
- We offer a 5-year, 30,000 hour Warranty (pending Fixture Approval from MHT)