



APPLICATIONS

- Street Lighting
- Intersections
- Parking Lots
- Public Areas

FEATURES

- 100,000 Hour Lifespan (IESNA)
- 10 Year or 60,000 Hour Warranty
- High Pressure Die-casted, Powder Coated Aluminum Housing
- Tool-less Design for Easy Installation, Maintenance
- Clear Tempered Glass Lens, Optional Drop Polycarbonate (PC) Lens
- NEMA Type 2/3 Distribution, IDA Approved
- Ambient Temp Range: -30 to 120 deg F

Made in the USA
of U.S. and imported parts 



LAMP/GENERATOR

- 120-277V Universal Electronic Ballast
- Available 0-10V Dimmability, 2-way Communication
- Power Factor > 0.95, Operation Frequency 50-60Hz
- Instant-On, Flicker Free, Minimum Light Loss
- 40W—250W Square Tubular Lamp Design
- Color Temps Available: 3000K—5000K
- CRI > 85—Excellent Color Rendition



Product #	Wattage	Replaces	Lm/W	Lumens	IP Rating	Size	Lens
MHT-GRW-40E	40	MH - 70W HPS - 100W	72.5	2,900	65	23"x14"	Glass, Drop PC
MHT-GRW-55E	55	MH - 100W HPS - 100W	72.5	3,988	65	23"x14"	Glass, Drop PC
MHT-GRW-70E	70	MH - 120W HPS - 150W	72.5	5,075	65	23"x14"	Glass, Drop PC
MHT-GRW-80E	80	MH - 150W HPS - 150W	77.5	6,200	65	23"x14"	Glass, Drop PC
MHT-GRW-100E	100	MH - 200W HPS - 200W	77.5	7,750	65	27"x15"	Glass, Drop PC
MHT-GRW-120E	120	MH - 200W HPS - 200W	77.5	9,300	65	27"x15"	Glass, Drop PC
MHT-GRW-150E	150	MH - 250W HPS - 300W	82.5	12,375	65	27"x15"	Glass, Drop PC
MHT-GRW-200E	200	MH - 360W HPS - 400W	82.5	16,500	65	36"x17"	Glass, Drop PC
MHT-GRW-250E	250	MH - 400W HPS - 500W	87.5	21,875	65	36"x17"	Glass, Drop PC

Available Options:

- NEMA-4 Photocell Receptacle, Complete Photocell
- Dimmable Ballast, 2-way Communications

Available Options:

- Drop Polycarbonate (PC) Lens

ORDERING CODES

MHT-GRW

- E - - - - - -

Wattage:

40, 55, 70, 80
100, 120, 150
200, 250

Color Temp:

3K = 3000K
4K = 4000K
5K = 5000K

Voltage:

U = Univ
3 = 347V

Lens:

GL = Glass
PC = Drop
PC

Dimmable

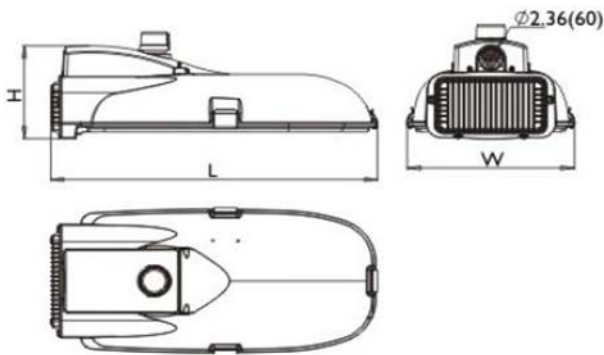
Ballast:
DB

Options: (please specify voltage)

PC = Complete Photocell
PR = Photocell Receptacle Only
IC = Intelligent Controls

DIMENSIONS

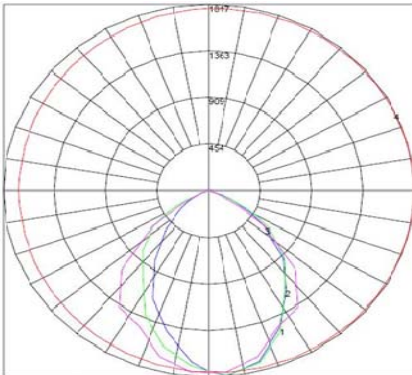
MHT-GRW-40-250E



inches (mm)	40/55/70/80E	100/120/150E	200/250E
Length	23.2 (589)	27.1 (688)	35.9 (913)
Width	14.4 (365)	15.2 (386)	17.2 (436)
Height (Glass)	9.6 (245)	11.0 (279)	10.9 (276)
Height (PC)	10.4 (265)	12.0 (305)	12.2 (309)

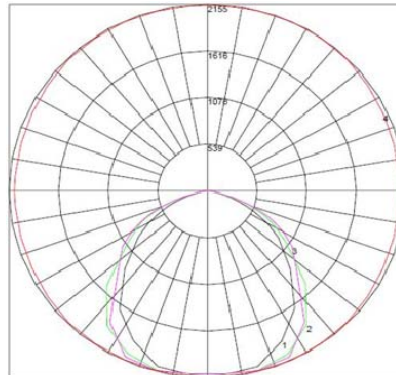
SAMPLE PHOTOMETRICS

MHT-GRW-55E



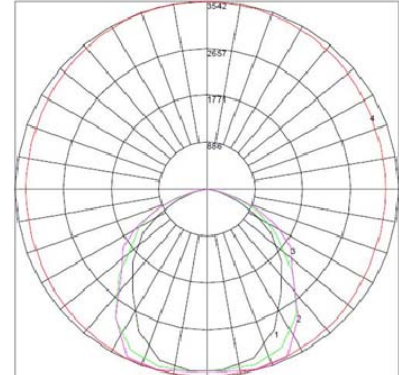
Maximum Candela = 1617 Located At Horizontal Angle = 0, Vertical Angle = 5
1 - Vertical Plane Through Horizontal Angles (0 - 150) (Through Max. Cd.) : BLUE
2 - Vertical Plane Through Horizontal Angles (45 - 225) : GREEN
3 - Vertical Plane Through Horizontal Angles (90 - 270) : MAGENTA
4 - Horizontal Cone Through Vertical Angle (5) (Through Max. Cd.) : RED

MHT-GRW-100E



Maximum Candela = 2155 Located At Horizontal Angle = 65, Vertical Angle = 15
1 - Vertical Plane Through Horizontal Angles (0 - 150) : BLACK
2 - Vertical Plane Through Horizontal Angles (45 - 225) : GREEN
3 - Vertical Plane Through Horizontal Angles (90 - 270) : MAGENTA
4 - Horizontal Cone Through Vertical Angle (15) (Through Max. Cd.) : RED

MHT-GRW-150E



Maximum Candela = 3542 Located At Horizontal Angle = 95, Vertical Angle = 15
1 - Vertical Plane Through Horizontal Angles (0 - 150) : BLACK
2 - Vertical Plane Through Horizontal Angles (45 - 225) : GREEN
3 - Vertical Plane Through Horizontal Angles (90 - 270) : MAGENTA
4 - Horizontal Cone Through Vertical Angle (15) (Through Max. Cd.) : RED

- ▶ Products are UL Listed/Labeled and Assembled in ISO9000/1 Certified US Facility
- ▶ Every product is quality tested and inspected prior to shipment
- ▶ We offer a 10-year, 60,000 hour Warranty (please see Warranty Terms and Conditions)
- ▶ Made in the USA of US and Imported Parts, Meets Buy American requirements within the ARRA